

# KELCO

## L Series Side Entry Level Switch

### Features

- 0 to 500V AC 15 Amp S.P.D.T switch or;
- Low voltage model also available ('RL' model)
- 316 Stainless or Polypropylene models
- Available with 1" BSP or NPT thread
- Manual override built in ('L-H' models only)
- Modular construction
- High pressure 400 Bar 5800 psi models available
- Seal-less magnetic drive
- Weatherproof IP67 housing
- Easily serviceable

### Applications

- Tank and liquid level control
- Low level protection for pumps
- Level control in water treatment
- Chemical tank level monitoring

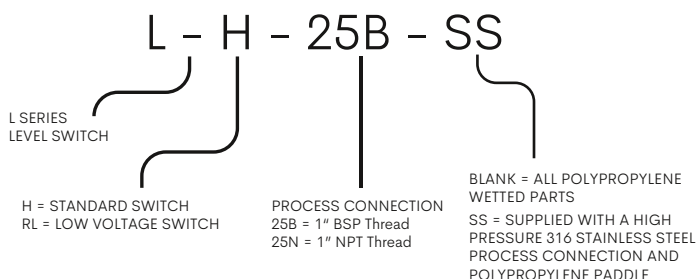


### Outline

The L Series side entry level switch provides a reliable accurate and low cost solution to tank level control. The switch is available in all thermoplastic construction or in a combination of 316 Stainless Steel and Polypropylene or CPE for Diesel applications. The level switch can be supplied with a 500 Volt rated single pole double throw microswitch for general control circuit use or with a 30 volt rated single pole double throw microswitch for low voltage low current applications. The L Series level switch is built tough to give a long reliable service life in the most arduous applications.

### Ordering

The below shows the different switch models available in the L Series:



### Hazardous Applications

The L-RL models can be used in hazardous areas. These switches are classed as a 'simple device' and do not contain components capable of storing or producing an electric charge. As a simple device the L-RL switches can be used in hazardous applications provided it is isolated by an intrinsically safe barrier, a Zener barrier.

# L SERIES DATA

## Electrical Data for the 'H' Switch

The 'L-H' switches house a S.P.D.T (Single Pole Double Throw) microswitch. This standard switch is suitable for all general control circuit applications up to 500V AC. It is ideal for the control of pump starters, relay logic circuits, and for the direct control of contactors and timers.

### IMPORTANT

The standard 'H' switch can operate at ANY voltage from 5 to 500VAC. It can be used to directly control pump motors up to 375 Watts (0.5HP) at 240VAC. For larger motors always use an interposing contactor or relay between the flow switch and the motor.

RATED VOLTAGE	NON INDUCTIVE LOADS				INDUCTIVE LOADS			
	RESISTIVE LOAD		LAMP LOAD		INDUCTIVE LOAD		MOTOR LOAD	
	NO	NC	NO	NC	NO	NC	NO	NC
125 VAC	15A	3A	1.5A	15A	5A	2.5A		
250 VAC	15A	2.5A	1.25A	15A	3A	1.5A		
500 VAC	10A	1.5A	0.75A	6A	1.5A	0.75A		
8 VDC	15A	3A	1.5A	15A	5A	2.5A		
14 VDC	15A	3A	1.5A	10A	5A	2.5A		
30 VDC	6A	3A	1.5A	5A	5A	2.5A		
125 VDC	0.5A	0.5A	0.25A	0.05A	0.05A	0.05A		
250 VDC	0.5A	0.5A	0.25A	0.03A	0.03A	0.03A		

## Electrical Data for the 'RL' Switch

The 'L-RL' reed switch models are supplied with a high compliance Single Pole Double Throw reed switch suitable for all low wetting current and low voltage applications. Such applications include PLC control, signaling in telemetry systems and relay logic circuits.

**Please note:** the reed switch models are not suitable for use with inductive loads such as contactors or high wattage relays.

Switch Type:	Dry Contact Reed Switch
Contact Configuration:	S.P.D.T Break Before Make
Switched Power:	20W / VA Maximum
Switch Voltage Maximum:	140V AC 150V DC
Switched Current (Resistive):	1 Amp Maximum
Carry Current:	2 Amp Maximum
Breakdown Voltage:	200V Minimum
Typical Applications:	PLC, Telemetry & General Low Voltage Control

## Approved Standards

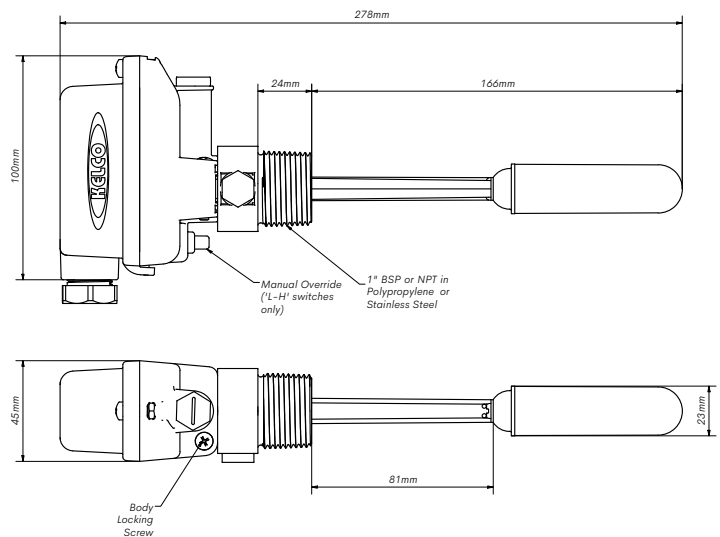
The standard single pole double throw switch used in the L Series Level Switch is approved to the following international standards:  
 UL (File No. E32667), CSA (File No. LR21642)  
 SEV (File No. S20/163) and CE.

## Operating Limitations

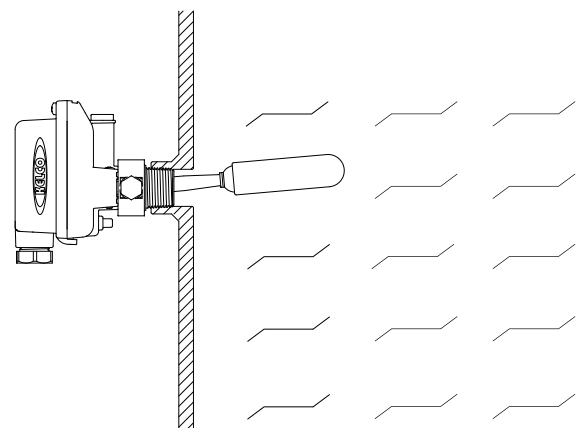
Please note: Maximum operating pressure of the all Polypropylene L series switch must be linearly de-rated as operating temperature is increased so that at 60°C (140°F) the maximum permissible operating pressure for the switch does not exceed one Bar (15 psi) absolute.

Parameter	L Series with Polypropylene process connection	L Series with Stainless process connection
Maximum operating pressure (Static or Dynamic) at ambient temperature	18 Bars (261 PSI)	400 Bars (5800 PSI)
Minimum burst pressure at ambient temperature	45 Bars (652 PSI)	800 Bars (11800 PSI)
Maximum operating temperature	60°C See note below	80°C (176°F)
Minimum operating temperature	-20°C (-4°F)	-20°C (-4°F)
Ingress protection rating	IP67	IP67

## Dimensions



The switch requires a minimum of 25mm of clearance above and below its centre line axis to facilitate the free movement of its float.



## Kelco Engineering Pty Ltd

ABN 20 002 834 844

Head Office & Factory  
 9/9 Powells Road,  
 Brookvale 2100 NSW Australia

Postal Address  
 PO Box 7485 Warringah Mall  
 Brookvale 2100 NSW Australia

Phone: +61 2 99056425  
 Fax: +61 2 9905 6420

Email: Sales@kelco.com.au  
 Web: www.Kelco.com.au

PLEASE NOTE: Kelco Engineering Pty Ltd reserves the right to change the specification of this product without notice. Users will use their own judgment to determine the appropriateness of using Kelco Products in an application, any safety measures required and that the product is properly installed for that application. To the extent permitted by law Kelco Engineering Pty Ltd disclaims and excludes all and any liability for the use of this product in any particular application or for defective installation. Kelco switches are warranted against malfunction by a 12 month return to base manufacturer's warranty. Full details of our warranty and limitation of liability can be found in this document or downloaded from: <http://www.kelco.com.au/warranty>

All rights reserved copyright Kelco Engineering Pty Ltd © 2022