

## Kelco D50 & D40 Level Switch Calibration

The Kelco D50 and D40 level switches are factory calibrated to operate with the displacer or displacers supplied with each switch. If required, the switch can be re-calibrated by adjusting the calibration screw located on the top deck of the switch. The calibration screw is an M3 Allen head stainless grub screw secured with a lock nut and sealed with red enamel.

### D50 Level Switch

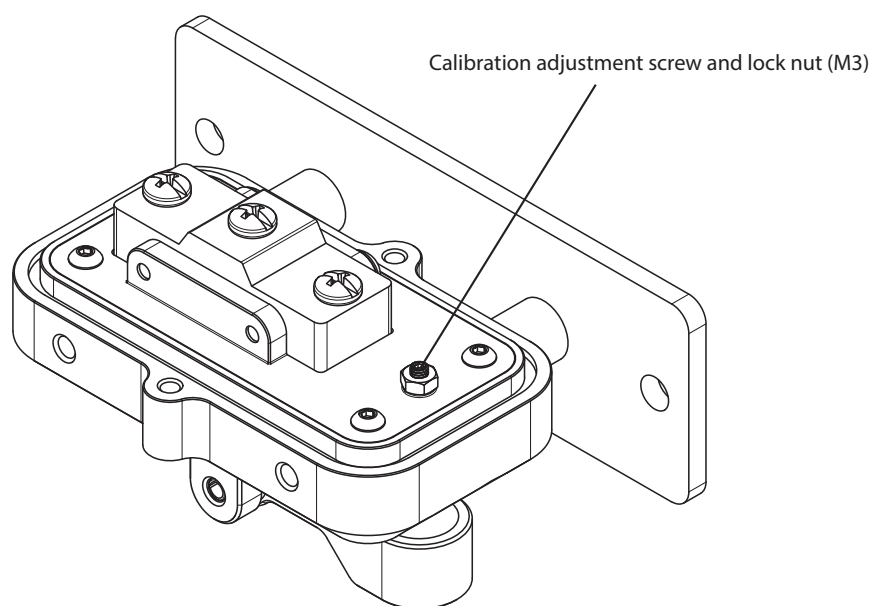
The D50 level switch is supplied with two displacers. If the D50 level switch fails to operate on a falling level, that is, fails to switch when the falling water level uncovers the bottom displacer then the switch will require re-calibration. In such a situation unlock the calibration screw lock nut and wind the calibration screw  $\frac{1}{4}$  turn anti clockwise and re-lock the lock nut. Test the switch on a falling water level and ensure it operates properly. If it fails to switch, adjust the sensitivity screw a further  $\frac{1}{4}$  turn anti clockwise and repeat the test.

If the switch fails to operate on a rising level, that is, fails to switch when the top most displacer is covered by water it will require re-calibrating. Unlock the calibration lock nut and turn the calibration grub screw  $\frac{1}{4}$  turn clockwise and re-tighten the lock nut. Test the switch on a rising water level. If it fails to switch when the top displacer is covered by water, wind the calibration screw a further  $\frac{1}{4}$  turn clockwise and repeat the test.

### D40 Level Switch

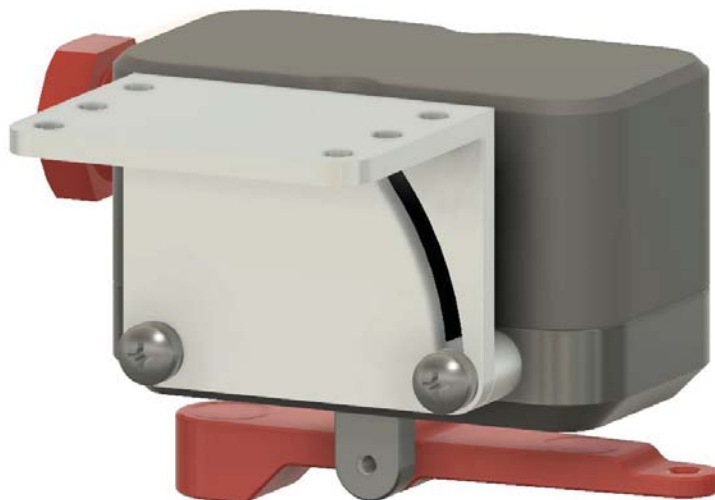
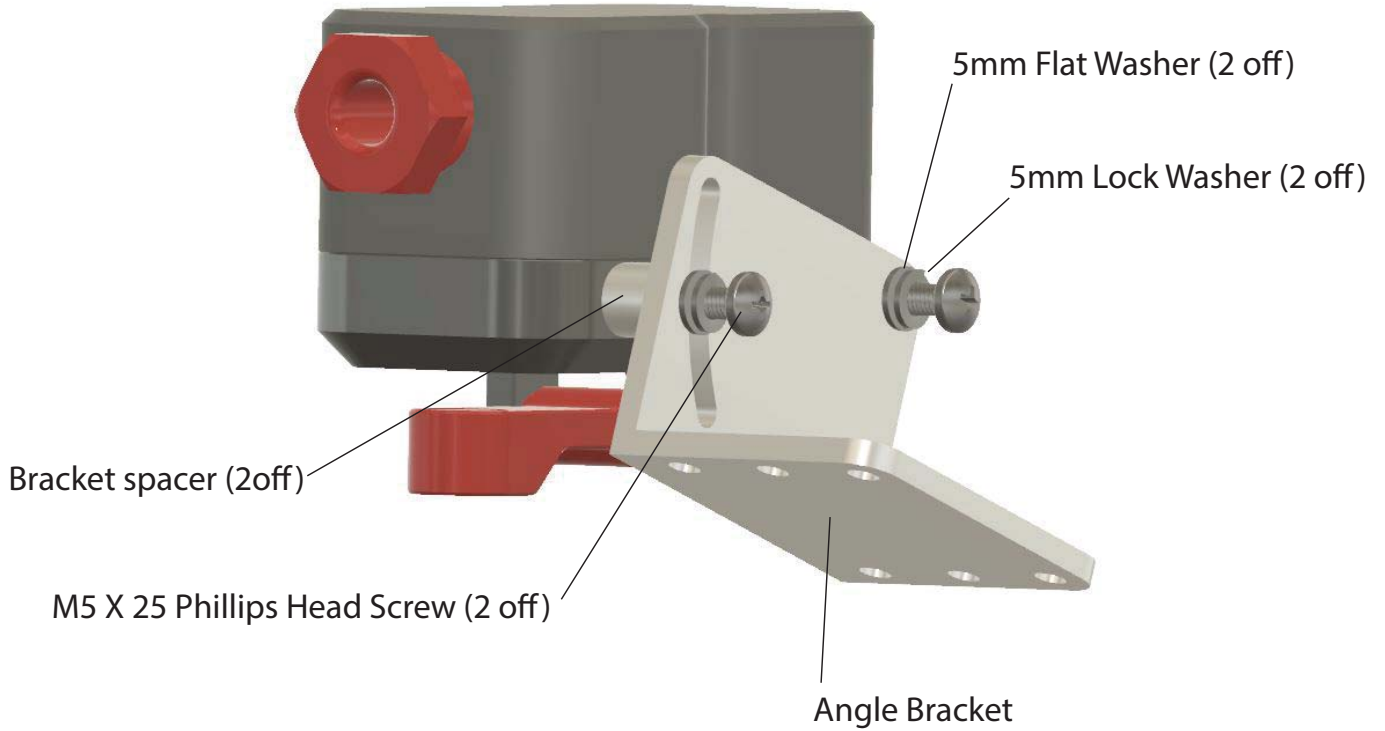
The D40 level switch has a single displacer and switching must occur within the length of the single displacer. When correctly adjusted the switch should change state at the bottom edge of the conical section on a rising level and at the seam line half way down the straight section on a falling water level. If a rising water level fails to actuate the switch when the displacer is fully submerged recalibrate the switch by adjusting the calibration screw clockwise in  $\frac{1}{4}$  turn steps until the switch operates at the correct point.

If the switch fails to operate on a falling water level adjust the calibration screw anti clockwise by  $\frac{1}{4}$  turn and retest it. If required repeat the adjustment until the switch operates properly.



## Using The Slotted Angle Bracket

In all installations the top face of the switch lid must lay horizontal in both planes. The angle bracket can be used to install the switch on sloping beams and tank lids. Fully tighten the 2 X M5 Phillips head screws to ensure the switch is solidly mounted.



The Angle Bracket Can Be Inverted If Required