

KELCO

F27 TIME DELAY FLOW SWITCH

Features

- Dry run protection for pumps
- Adjustable start-up override
- Adjustable paddle bounce ignore
- All poly and 316 stainless models available
- 220 / 240VAC or 24VAC or DC supply
- Indicator LEDs for all functions
- Weatherproof enclosure
- Suits pipe sizes 25mm and above
- Poly version 18 bar (260 psi) pressure rating
- SS version 400 bar / 5800 psi



Applications

The F27 time delay flow switch is a paddle flow switch with built-in digital timers that override the normally off state of the flow switch and allow a pump to start in spite of an initial lack of flow. They also include an adjustable run-on timer that lets a pump ignore minor flow interruptions while still being fully protected against running dry. When first powered up the F27 ignores the initial lack of flow and allows a pump under its control to run for up to 3 minutes. At the end of the set time the F27 will shut down the pump if there is no flow or allow it to run on if flow has been established.

Construction

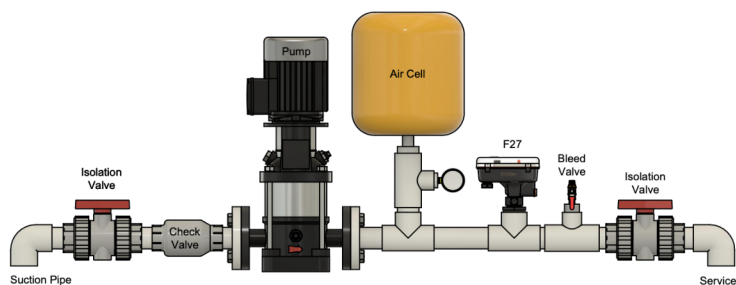
The standard F27 has no metal parts in contact with liquids. It operates magnetically through its thermoplastic housings. It is therefore ideally suited to use in aggressive ground water, seawater or chlorinated water and with a huge variety of chemical solutions including most acids and alkalis. The F27 is made from a blend of ASA and polypropylene thermoplastics, specifically tailored to give the highest possible performance in terms of mechanical strength, ultraviolet stability, and chemical inertness. All the F27 controllers use our well proven magnetic suspension system, to give a frictionless spring return action to the paddle and total isolation of the electronic module. The electronics built into the F27 are both brownout and voltage surge protected.

Installation

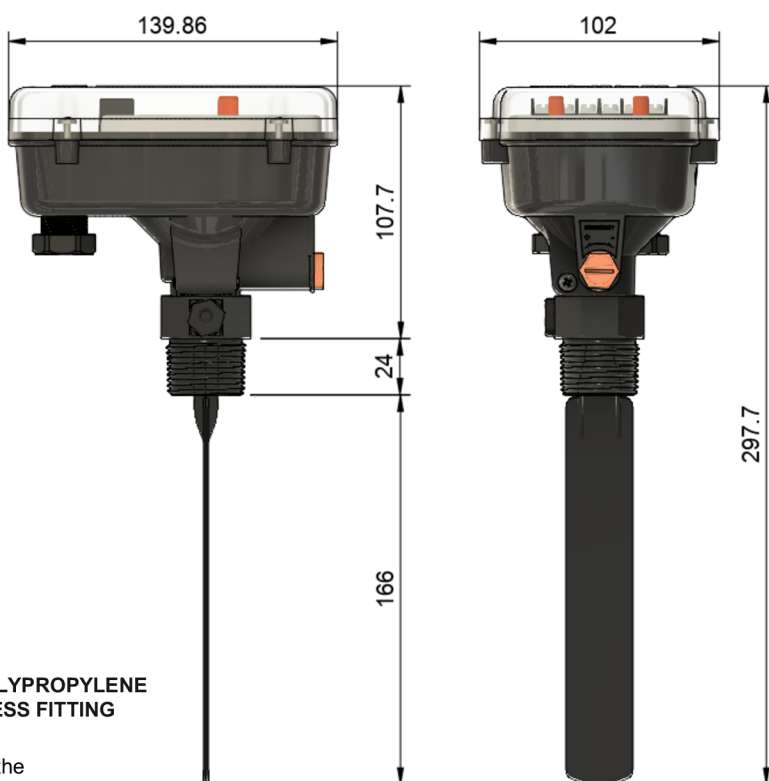
The F27 can be installed in either the suction or discharge pipe of the pump. Normally they are installed in a straight section of the discharge pipe, as shown in the accompanying sketch. A 1" BSP socket or tee must be provided to fit the controller. The controllers are suitable for all types of pipework 25mm (1 inch) diameter or larger.

TECHNICAL DATA

Typical Installations



Dimensions



Ordering

F27 - 25B - SS

F27 TIME DELAY FLOW SWITCH

25B = 1" BSP
25N = 1" NPT

BLANK = ALL POLYPROPYLENE
SS = 316 STAINLESS FITTING

Note: The F27 can be converted to a trailing wire version by using the separately sold TW arm kit

Overview

Specifications	
Microprocessor Control	Digital control with independent start-up (0 – 300 seconds) and run-on (0 – 300 seconds) timers, adjustable in 16 steps.
LED Indicators	Timer status (blue), Flow status (Red / Green) and Pump (Red / Green)
Output	10Amp (resistive) 240V via SPDT voltage-free relay contacts.
Surge Protection	Surge-protected electronics, brownout, and voltage surge protected.
Maximum Pressure	260 PSI (standard), 100 Bars (stainless models).
Weatherproof Rating	IP56 (hoseproof). <i>Not intended to be submersible.</i>
Operating Modes	
Basic Mode	Acts as a simple flow switch with start-up and run-on timers set to zero, ignoring override functions.
Override on start	Powers the pump for an adjustable time despite initial flow absence. Shuts down if flow isn't established by the end of the set period. Useful for long start-up delays in self-draining risers.
Paddle Bounce Ignore	Features an adjustable run-on timer to ignore minor flow fluctuations, ideal for stabilizing pumps in high-volume piping or low-yield bores.
DC Operation, using the LV and N terminals (Low Voltage DC operation)	
Minimum Voltage	19.5 Volts DC
Maximum Voltage	26 Volts DC
Current Draw	30mA with the output relay closed
AC operation, using the LV and N terminals (Low Voltage AC operation)	
Minimum Voltage	17 Volts AC
Maximum Voltage	26 Volts AC
Current Draw	80mA with the output relay closed
AC operation using the A and N terminals (50Hz Mains Voltage operation)	
Minimum Voltage	180 Volts AC
Maximum Voltage	270 Volts AC
Current Draw at 220VAC	240mA
Current Draw at 270VAC	270mA

Kelco Engineering Pty Ltd

ABN 20 002 834 844

Head Office & Factory
9/9 Powells Road,
Brookvale 2100 NSW Australia

Postal Address
PO Box 7485 Warringah Mall
Brookvale 2100 NSW Australia

Phone: +61 2 99056425
Fax: +61 2 9905 6420

Email: Sales@kelco.com.au
Web: www.Kelco.com.au

PLEASE NOTE: Kelco Engineering Pty Ltd reserves the right to change the specification of this product without notice. Users will use their own judgment to determine the appropriateness of using Kelco Products in an application, any safety measures required and that the product is properly installed for that application. To the extent permitted by law Kelco Engineering Pty Ltd disclaims and excludes all and any liability for the use of this product in any particular application or for defective installation. Kelco switches are warranted against malfunction by a 12 month return to base manufacturer's warranty. Full details of our warranty and limitation of liability can be found in this document or downloaded from: <http://www.kelco.com.au/warranty>